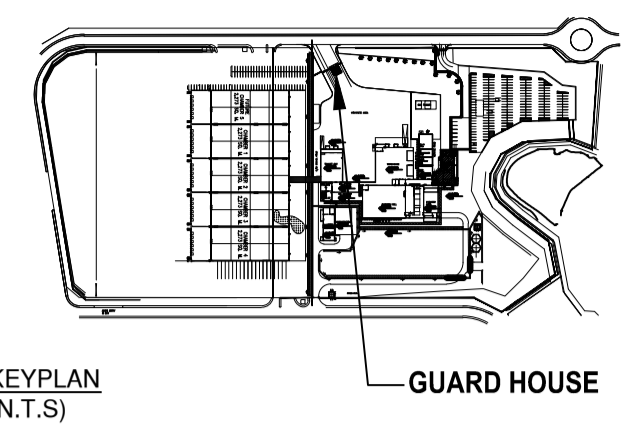


BAR BENDING SCHEDULE

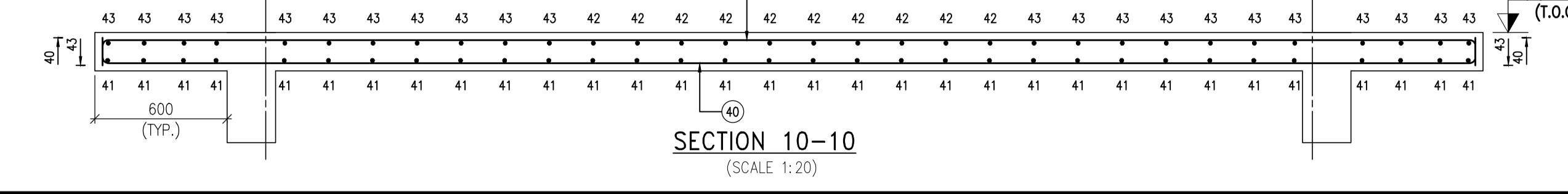
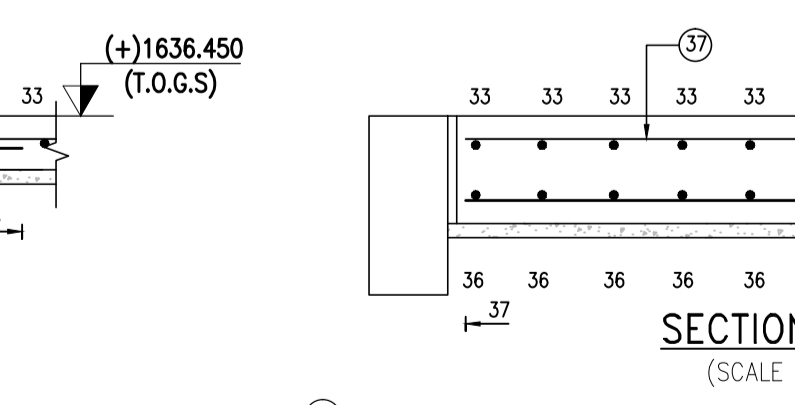
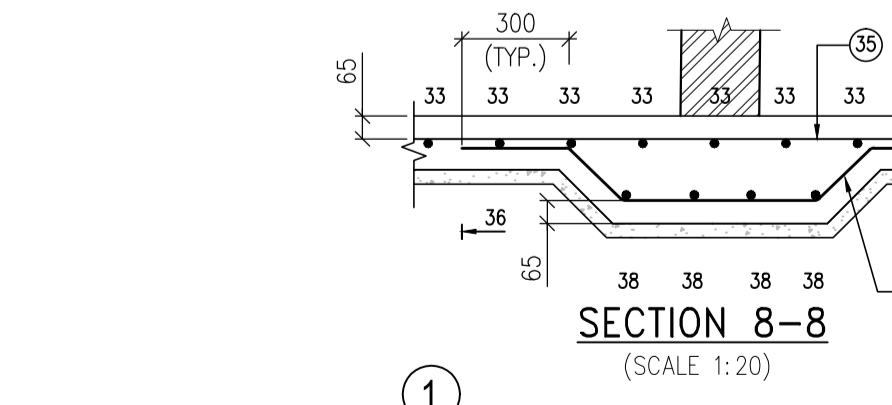
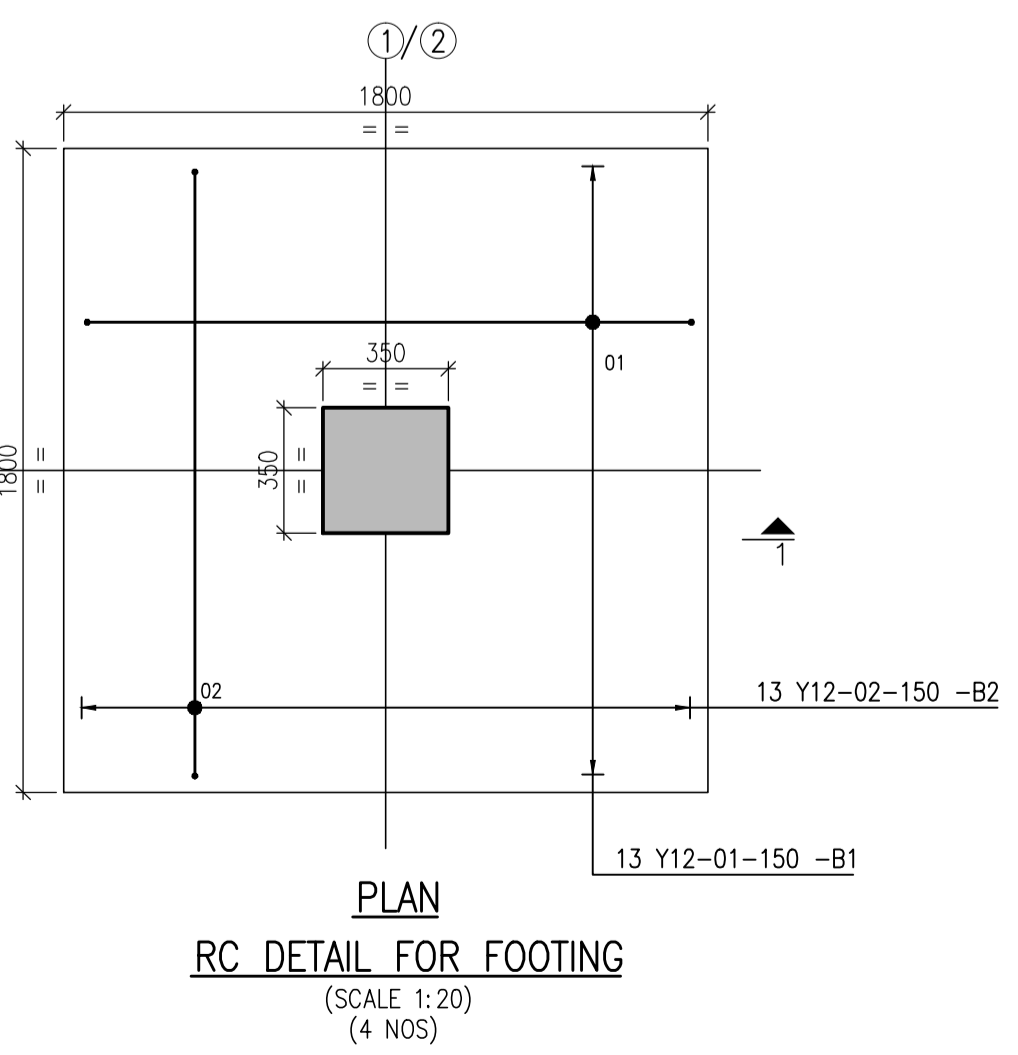
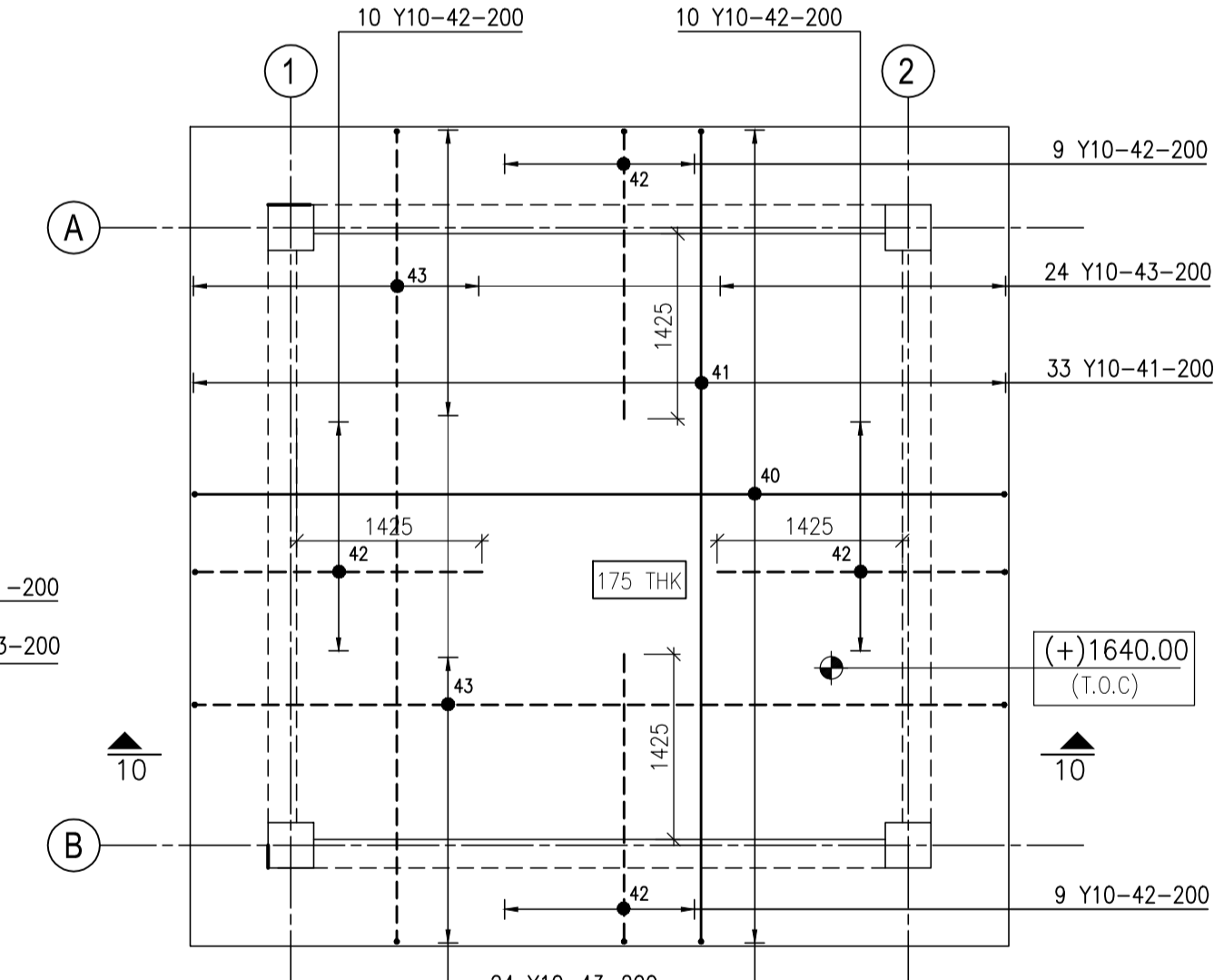
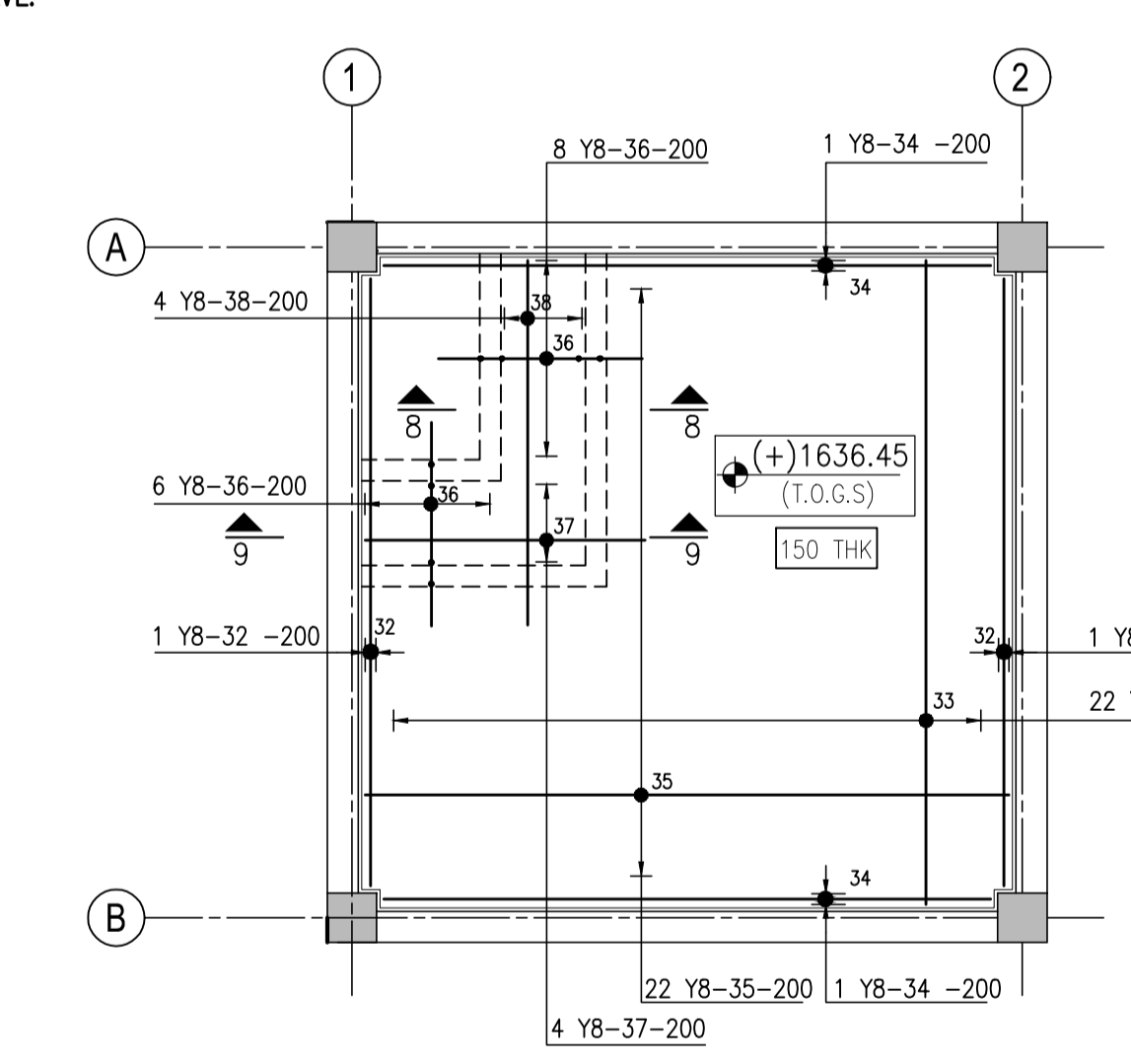
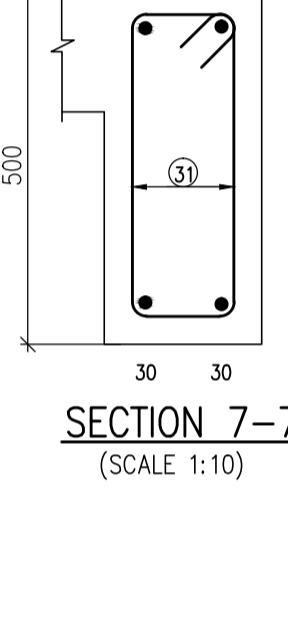
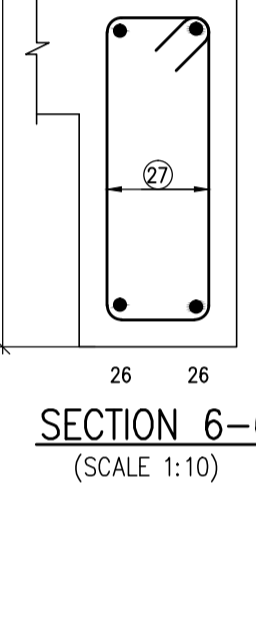
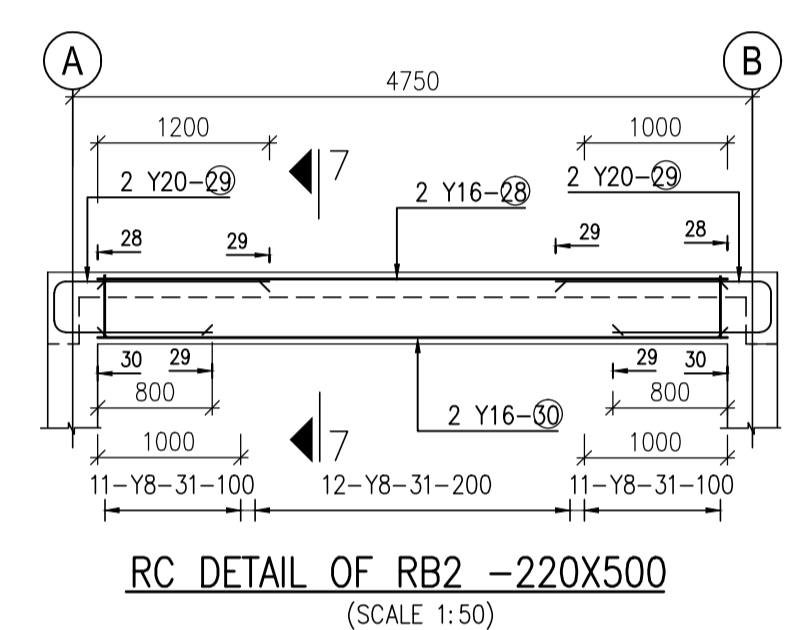
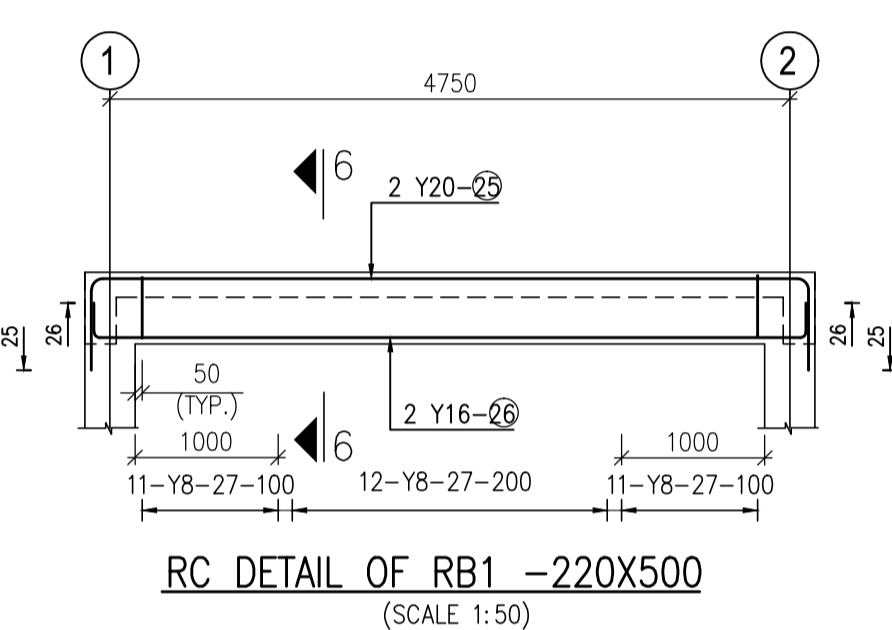
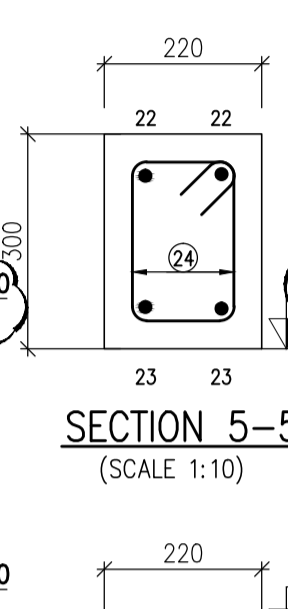
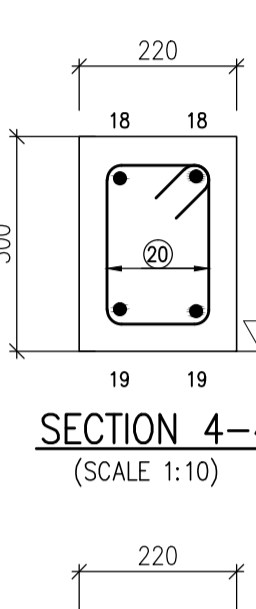
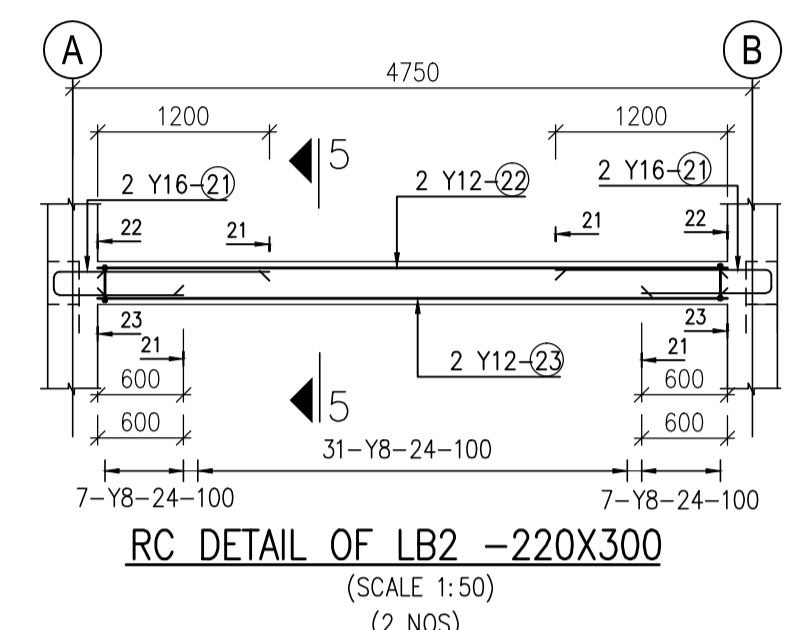
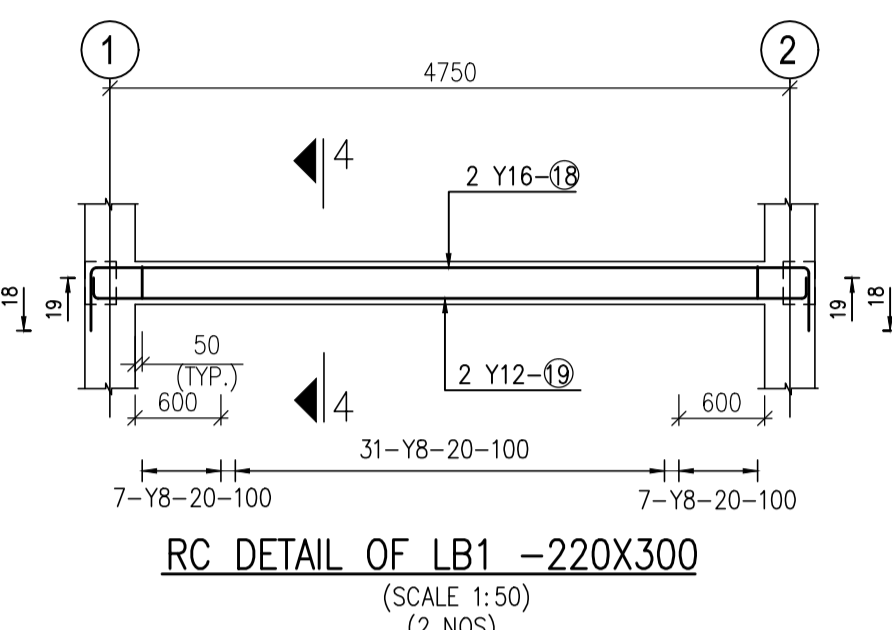
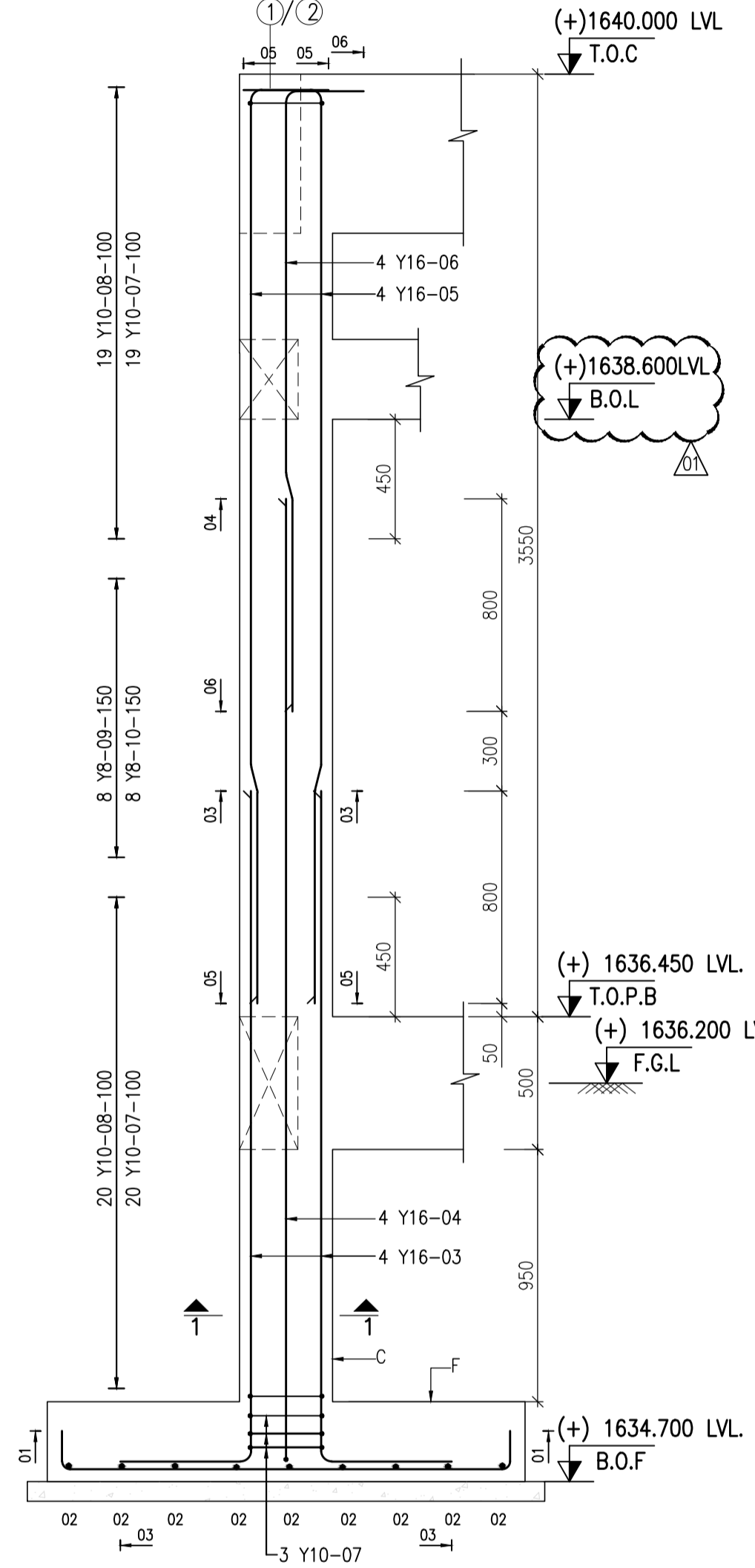
Member	Bar Mark	Bar Size	No. of Mem bers	No. of Bars in Each	Total No. Bars	Bar Length	Shape Code	A	B	C	D	E/R
FOOTING	01	12	4	13	52	1975	38	150	1700	150		
	02	12	4	13	52	1975	38	150	1700	150		
	03	16	4	4	16	3025	37	500	2535			
	04	16	4	4	16	4100	37	500	3625			
COLUMN	05	16	4	4	16	3725	42	800	100	2555	40	300
	06	16	4	4	16	2625	42	800	100	1450	40	300
	07	10	4	42	168	1275	99165	280	280	100	100	
	08	10	4	39	156	1000	99165	215	215	100	100	
PB1	09	8	4	8	32	975	99165	215	215	80	80	
	10	8	4	8	32	1250	99165	280	280	80	80	
	11	20	2	2	4	6225	38	650	5030	650		
	12	16	2	2	4	5425	38	250	4990	250		
PB2	13	8	2	34	68	1275	99165	150	430	80	80	
	14	16	2	2	4	4400	20	4400				
LB1	15	20	2	4	8	2900	38	1515	375	1115		
	16	16	2	2	4	4400	20	4400				
LB2	17	8	2	34	68	1275	99165	150	430	80	80	
	18	16	2	2	4	5875	38	450	5030	450		
RB1	19	12	2	2	4	5250	38	150	4990	150		
	20	8	2	45	90	875	99165	150	230	80	80	
RB2	21	16	2	4	8	2550	38	1515	180	915		
	22	12	2	2	4	4400	20	4400				
GRADE SLAB	23	12	2	2	4	4400	20	4400				
	24	8	2	45	90	875	99165	150	230	80	80	
	25	20	2	2	4	6225	38	650	5030	650		
	26	16	2	2	4	5425	38	250	4990	250		
ROOF SLAB	27	8	2	34	68	1275	99165	150	430	80	80	
	28	16	2	2	4	4400	20	4400				
	29	20	2	4	8	2900	38	1515	375	1115		
	30	16	2	2	4	4400	20	4400				
ROOF SLAB	31	8	2	34	68	1275	99165	150	430	80	80	
	32	8	1	2	2	4300	20	4300				
	33	8	1	22	22	4575	20	4575				
	34	8	1	2	2	4300	20	4300				
ROOF SLAB	35	8	1	22	22	4575	20	4575				
	36	8	1	14	14	1575	43	300	215	545	155	300
	37	8	1	4	4	2050	41	1535	215	300	155	
	38	8	1	4	4	2650	41	2135	215	300	155	
ROOF SLAB	39	10	1	33	33	6450	38	120	6240	120		
	40	10	1	33	33	6450	38	120	6240	120		
	41	10	1	38	38	2325	37	120	2215			
	42	10	1	38	38	2325	37	120	2215			
ROOF SLAB	43	10	1	48	48	6450	38	120	6240	120		
	44	10	1	48	48	6450	38	120	6240	120		
	45	10	1	48	48	6450	38	120	6240	120		
	46	10	1	48	48	6450	38	120	6240	120		

This drawing is produced by L&T Technology Services for Unilever, the copyright owner. It is a confidential document and must not be copied, used or its contents divulged without prior written consent of the copyright owner.

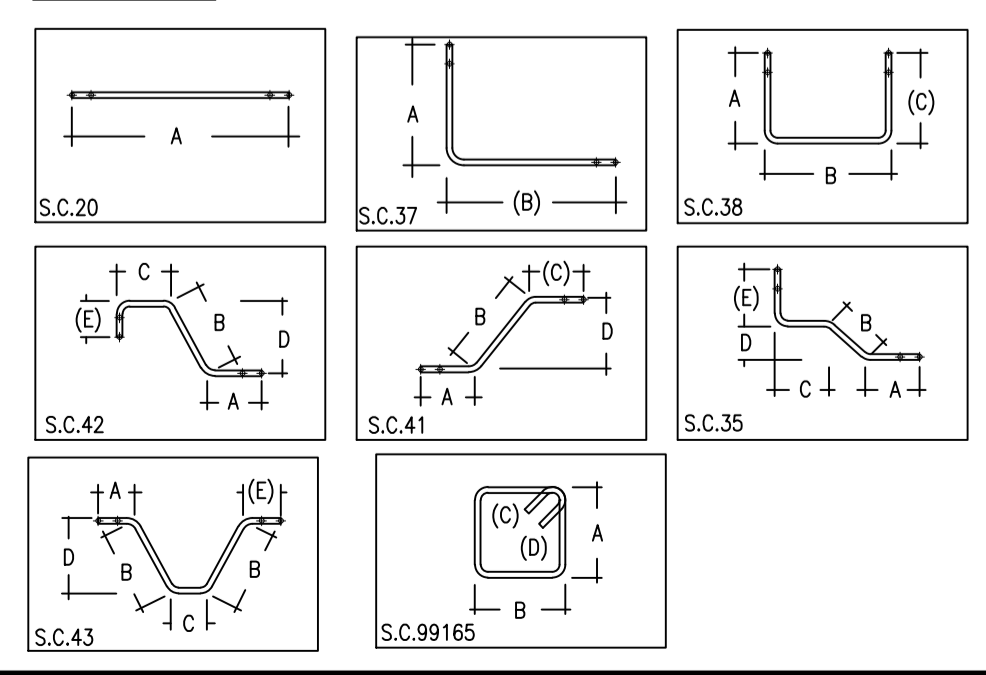


- NOTES :
- ALL DIMENSIONS ARE IN MILLIMETERS AND LEVELS ARE IN METERS U.N.O.
  - GRADE OF STRUCTURAL CONCRETE SHALL BE 30. (28 DAYS CURE COMPRESSIVE STRENGTH SHALL BE NOT LESS THAN 30 MPa)
  - GRADE OF UNREINFORCED CONCRETE SHALL BE 15. (28 DAYS CURE COMPRESSIVE STRENGTH SHALL BE NOT LESS THAN 15 MPa)
  - "Y" DENOTES HIGH YIELD STRENGTH DEFORMED BARS, HAVING YIELD STRENGTH NOT LESS THAN 450 MPa CONFORMING TO SANS 920
  - THIS DRAWING SHALL BE READ IN CONJUNCTION WITH STRUCTURAL DRAWING NO. 22UL1405.3-ICZAM1-S.01-1201-A1 AND 22UL1405.3-ICZAM1-S.01-1202-A1
  - DRAWING SHALL NOT BE SCALED. WRITTEN DIMENSIONS SHALL BE FOLLOWED. IF ANY DISCREPANCY FOUND, THE SAME SHALL BE REPORTED TO THE ENGINEER AND RESOLVED PRIOR TO THE COMMENCEMENT OF WORKS.
  - MINIMUM LAP AND ANCHORAGE LENGTH SHALL BE 50 DIAMETER OF THE SMALLEST LAPPING BARS ALL LAPS SHALL BE ALTERNATIVELY STAGGERED.
  - CLEAR COVER TO OUTER MOST REINFORCEMENT:
    - FOOTING - 50mm
    - COLUMN - 35mm
    - BEAMS - 35mm
    - UNTEL - 35mm
    - SLAB - 30mm

- LEGEND :
- LVL - LEVEL
  - THK - THICKNESS
  - T.O.G.S - TOP OF GRADE SLAB
  - F.G.L - FINISHED GROUND LEVEL
  - T.O.C - TOP OF CONCRETE
  - B.O.F - BOTTOM OF FOOTING
  - T.O.P.B - TOP OF PLINTH BEAM
  - B.O.L - BOTTOM OF UNTEL
  - TP. - TYPICAL
  - C - COLUMN
  - F - FOOTING
  - PB - PLINTH BEAM
  - LB - UNTEL BEAM
  - RB - ROOF BEAM
  - B1 - BOTTOM FIRST LAYER
  - B2 - BOTTOM SECOND LAYER



SHAPE CODES



01	19.06.2014	REVISED AS MARKED	GJ	YP/GKN	MDS
00	03.06.2014	ISSUED FOR CONSTRUCTION	GJ	YP/GKN	MDS

REVNO	DATE	DESCRIPTION	DRWN	CHKD	APPR
-------	------	-------------	------	------	------

CLIENT: UNILEVER SOUTH AFRICA (PTY) LTD

CONSULTANT: L&T Technology Services

REGISTERED ENGINEER APPROVAL: VANDIA SUBAKOV

PROJECT: SOUTH POLE

TITLE: GUARD HOUSE BBS OF FOOTING, COLUMN, BEAMS AND SLAB

DRWN	GJ	DATE	03.06.2014
CHKD	YP/GKN	DATE	03.06.2014
APPR	MDS	DATE	03.06.2014

SCALE: 1:100 SHEET 01 OF 01